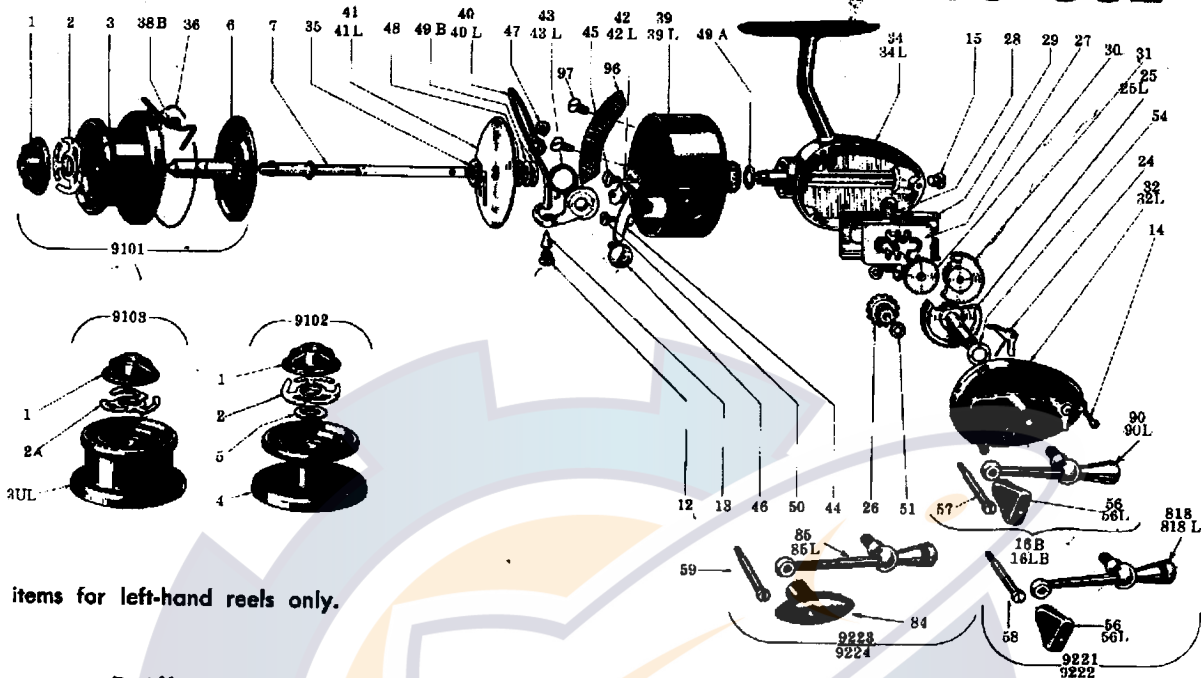


Garcia

MITCHELL 300-301



Red items for left-hand reels only.

No.	Part Name	Price	No.	Part Name	Price	No.	Part Name	Price
1	Wing nut	.15	39	Rotating head (300)	3.00	85	Handle shank for #9223 handle (300)	1.50
2	Brake spring	.25	39L	Rotating head (301)	3.00	85L	Handle shank for #9224 handle (301)	1.50
2A	Brake spring, ultra-light	.50	40	Bail (300)	2.50	90	Handle shank for #16B handle (300)	1.25
3	Spool shell, small capacity	2.00	40L	Bail (301)	2.50	90L	Handle shank for #16LB handle (301)	1.25
3UL	Spool shell, ultra-small capacity	2.00	41	Baffle plate (300)	.50	96	Counterweight	.25
4	Spool shell, large capacity	2.00	41L	Baffle plate (301)	.50	97	Counterweight screw	.05
5	Washer (for large capacity spool only)	.05	42	Bail trip lever (300)	.25	818	Handle shank for #9221 handle (300)	1.25
6	Spindle	1.00	42L	Bail trip lever (301)	.25	818L	Handle shank for #9222 handle (301)	1.25
7	Reel axle	1.00	43	Bail spring (300)	.10	9101	Spool with container, complete, small capacity	4.00
12	Line guide screw	.10	43L	Bail spring (301)	.10	9102	Spool with container, complete, large capacity	4.00
13	Line guide	.75	44	Bail trip lever spring	.05	9103	Spool with container, complete, ultra-small capacity	4.00
14	Cover screw	.10	45	Bail trip lever screw	.10	9221	Screw-lock handle, complete, 1/4" longer than standard (Accessory for 300)	1.50
15	Lubrication cover screw	.10	46	Bail screw #1	.15	9222	Screw-lock handle, complete, 1/4" longer than standard (Accessory for 301)	1.50
16B	Handle, complete (300)	1.50	47	Bail screw #2	.15	9223	Screw-lock handle, complete, 1/2" longer than standard (Accessory for 300)	2.00
16LB	Handle, complete (301)	1.50	48	Baffle plate washer	.05	9224	Screw-lock handle, complete, 1/2" longer than standard (Accessory for 301)	2.00
24	Anti-reverse dog	.25	49A*	Shims to adjust rotating head and housing (set of 3)	.05			
25	Driving gear (300)	1.25	49B*	Shims to adjust rotating head and baffle plate (set of 3)	.05			
25L	Driving gear (301)	1.25	50	Pick-up spring screw	.10			
26	Pinion	.75	51*	Washer to adjust pinion (set of 2)	.05			
27	Slide	.50	54*	Shims to adjust driving gear (set of 2)	.05			
28	Slide guide screw	.10	56	Knob for #16B and #9221 handles (300)	.15			
29	Slide guide	.25	56L	Knob for #16LB and #9222 handles (301)	.15			
30	Pivot gear	.75	57	Knob screw for #16B & #16LB handles	.10			
31	Transfer gear	.50	58	Knob screw for #9221 and #9222 handles	.10			
32	Cover plate assembly (300)	2.50	59	Knob screw for #9223 and #9224 handles	.15			
32L	Cover plate assembly (301)	2.50	84	Handle knob for #9223 and #9224 handles	.50			
34	Housing (300)	4.00						
34L	Housing (301)	4.00						
35	Baffle plate holding nut	.05						
36	Spool line clip	.05						
38B	Click spring	.10						

*Use only the number of shims necessary for smoothest operation.